

## Mult System Outdoor Submittal Data

### CU-4E24RBU-5

#### Multi System Outdoor Unit

Job Name: \_\_\_\_\_  
 Location: \_\_\_\_\_  
 Engineer: \_\_\_\_\_  
 Submitted to: \_\_\_\_\_  
 Submitted by: \_\_\_\_\_  
 Reference: \_\_\_\_\_

Approval: \_\_\_\_\_  
 Date: \_\_\_\_\_  
 Construction: \_\_\_\_\_  
 Unit#: \_\_\_\_\_  
 Drawing#: \_\_\_\_\_

General Data	
Power (V/P/Hz)	230/208/1/60
Circuit Ampacity (A)	30
Fuse Size, Max.(A)	45
<b>Compressor</b>	DC Twin Rotary (Inverter Driven)
No. Used	1
Output Power (W)	1.30K

Outdoor Unit	
Fan type	Propeller
Motor Type	DC Motor (8 poles)
Output Power (W)	90
Airflow CFM	1963 Cooling / 2230 Heating
Coil Type	Aluminum (Blue Coated)
Fin Type - Pipe Type	Corrugated Fin
Coil Type	Aluminum Fin & Copper Pipe
Fin Type - Pipe Type	Corrugated Fin
Rows - F.P.I.	2-19
Tube Size (in)	3/8"
<b>Refrigerant</b>	<b>R410A</b>
R410a Pre Charge	120 oz
Refrigerant Control	Electronic Expansion Valve
Refrigerant Tubing Connections	Flare
Line Length, Max (ft.)	229'
Line Height Difference, Max (ft.)	49.2'
Line Size (in. O.D. Discharge)	1/4" x 4
Line Size (in. O.D. Suction)	3/8" x 4
Pre-charge, tubing length at shipment	147.6'
<b>Dimensions (HxWxD)</b>	
Outdoor Unit (Uncrated) (in.)	39-11/32 x 37-1/32 x 13-13/32
<b>Weight (lbs.)</b>	
(Outdoor) Net	183 lbs

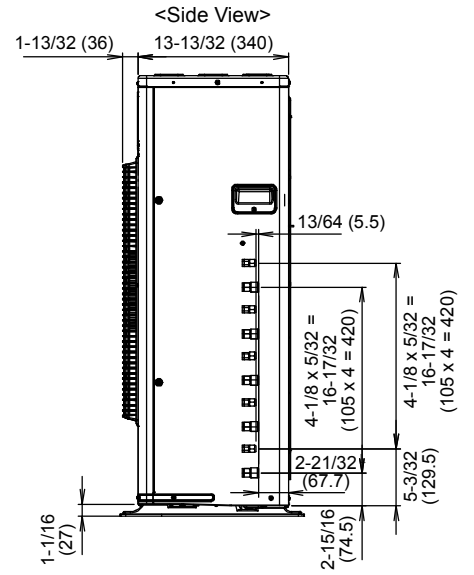
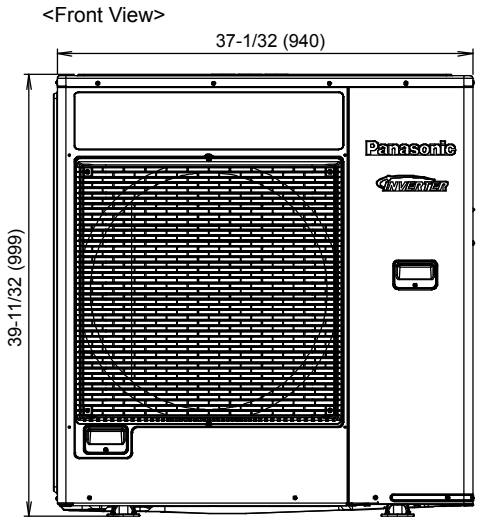
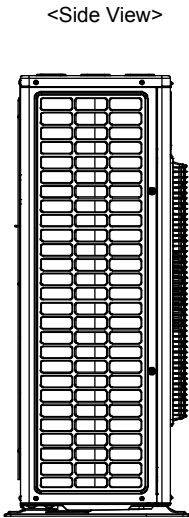
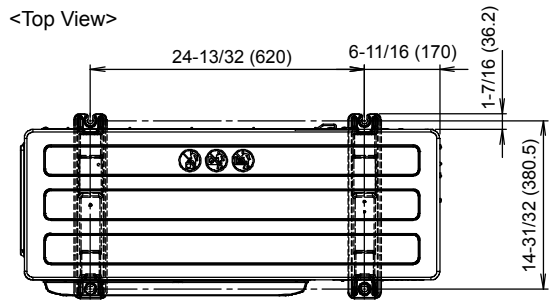
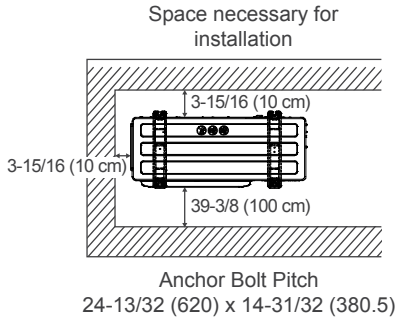
Performance Data @ ARI Standard Conditions (208/230V)	
High Heat @ 47F	37,800
Low Heat @ 17F	28,000
<b>Cooling</b>	
Total Capacity (BTU/H)	24,000 (10,200 - 31,400)
Sensible Capacity (BTU/H)	22,800
Latent Capacity (BTU/H)	1,200
SEER	22
Amps (A)	9.9-8.9



Max. Amps (A)	21.1
Power Inputs (KW)	1.91
Max. Inputs (W)	1,910
Outdoor Sound Rating (dB-A)	55
<b>Heating</b>	
Total Capacity (BTU/H)	37,800 (14,300 - 48,500)
HSPF	10
Amps (A)	15.3 - 13.9
Power Inputs (KW)	3.03
Outdoor Sound Rating (dB-A)	55

Operating Range	
Cooling (Max)	114F DB/78F WB
Cooling (Min)	14F DB/ - WB
Heating (Max)	75.2F DB/64F WB
Heating (Min)	-5F DB/-6.8F WB

# Dimensions



Unit: inch (mm)



Panasonic North America  
2 Riverfront Plaza  
Newark, NJ 07102  
us.panasonic.com/hvac

Panasonic Canada Inc.  
5770 Ambler Drive  
Mississauga, ON, L4W 2T3  
na.panasonic.com/ca/hvac