

## Light Duty Commercial Atmospheric Vent High Input Gas Water Heater



Photo is of  
LG2100H853N

**FEATURING:**



**The Atmospheric Vent High Input Models Feature:**

- **Bradford White ICON System™ (Excluding LG155H803N)**—Intelligent gas control with proven millivolt powered technology and built-in piezo igniter. A standard, off-the-shelf thermopile converts heat energy from the pilot flame into electrical energy to operate the gas valve and microprocessor. No need for external electricity.
  - **Enhanced Performance**—Proprietary algorithms provide enhanced First Hour Delivery ratings and tighter temperature differentials
  - **Advanced Temperature Control System**—Microprocessor constantly monitors and controls burner operation to maintain consistent and accurate water temperature levels (up to 180°F).
  - **Intelligent Diagnostics**—An exclusive green LED light prompts the installer during start-up and provides ten different diagnostic codes to assist in troubleshooting.
  - **Pilot On Indication**—Flashing green LED provides positive indication that pilot is on.
  - **Separate Immersed Thermowell**—High-strength advanced polymer composite thermowell provides isolation between electric temperature sensor and surrounding water. No need to drain the tank when removing gas valve.
- **Advanced ScreenLok® Technology Flame Arrestor Design**—Flame arrestor is designed to prevent ignition of flammable vapor outside of the water heater (LG250H653N).
- **Resettable Thermal Switch**—Proven and reliable bimetallic switch prevents burner and pilot operation in case of ongoing flammable vapor burn inside of the combustion chamber or restricted air flow (LG250H653N).
- **Factory-Installed Hydrojet 2™ Total Performance System**—Cold water inlet sediment reducing device helps prevent sediment build-up in tank and increases first hour delivery of hot water.
- **Vitraglas® Lining**—Bradford White tanks are lined with an exclusively engineered enamel formula that provides superior tank protection from the highly corrosive effects of hot water. This formula (Vitraglas®) is fused to the steel surface by firing at a temperature of over 1600°F (871°C).
- **Side Connections**—3/4" (19mm) NPT tappings that allow easy connections for space heating applications (potable water only).
- **Non-CFC Foam Insulation**—Covers the sides and top of tank, reducing the amount of heat loss. This results in less energy consumption, improved operation efficiencies, and jacket rigidity.
- **Pedestal Base** (LG250H653N & LG275H763N).
- **Water Connections**—Factory installed true dielectric fittings extend water heater life and eases installation.
- **Hand Hole Cleanout**—Allows inspection of tank interior and facilitates the removal of sediment deposits (LG2100H853N models only).
- **Protective Magnesium Anode Rod.**
- **4" (107mm) "Snap Lock" Draft Diverter.**
- **T&P Relief Valve**—Installed.
- **Low Restriction Brass Drain Valve**—Durable tamper-proof design.
- **Thermostatic Mixing Valve (ASSE Approved)**—Included with LG155H803N only.

**3 or 5-Year Limited Tank Warranties / 1-Year Limited Warranty on Component Parts.**

For more information on warranty, please visit [www.bradfordwhite.com](http://www.bradfordwhite.com)

For products installed in USA, Canada and Puerto Rico. Some states do not allow limitations on warranties. See complete copy of the warranty included with the heater.

# Light Duty Commercial Atmospheric Vent Gas Water Heater

## Atmospheric Vent Models

Meet or exceed ASHRAE 90.1b (current standard) C.E.C. Listed

NATURAL GAS AND LIQUID PROPANE GAS

Model Number	Capacity		Recovery at 100°F Rise*				Recovery at 56°C Rise*				Recovery at 100°F Rise*		Recovery at 56°C Rise*			
	U.S. Gal.	Imp. Gal.	Nat. BTU/Hr. Input	LP BTU/Hr. Input	1st Hour Rating* (Gal.)	Energy Factor	Nat. U.S. GPH	Nat. Imp. GPH	LP U.S. GPH	LP Imp. GPH	Nat. kW Input	LP kW Input	1st Hour Rating* (Liters)	Energy Factor	Nat. Liters/Hour	LP Liters/Hour
LG250H653N	48	40	65,000	61,000	110	0.60	63	53	59	49	19.0	17.9	416	0.60	238	223
LG155H803N	55	46	80,000	78,000	N/A	N/A	78	65	76	63	23.4	22.9	N/A	N/A	295	287
LG275H763N	75	63	76,000	76,000	N/A	N/A	74	62	74	62	22.3	22.3	N/A	N/A	280	280
LG2100H853N	100	83	85,000	88,000	N/A	N/A	82	69	85	71	24.9	25.7	N/A	N/A	310	322

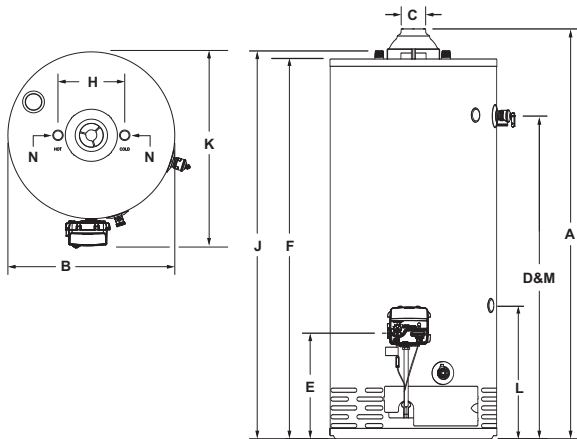
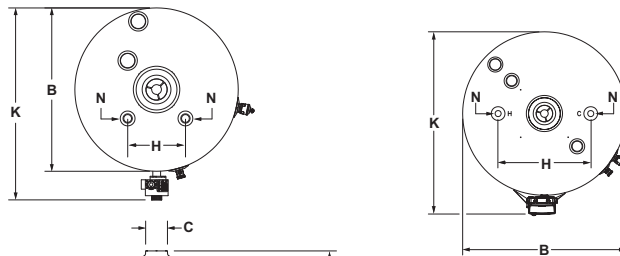
  

Model Number	A Floor to Flue Conn. in.	B Jacket Dia. in.	C Vent Size in.	D Floor to T&P Conn. in.	E Floor to Gas Conn. in.	F Floor to Top of Heater in.	H C/L of Water Conn. in.	J Floor to Water Conn. in.	K Depth in.	L Floor to Space Heating Inlet in.	M Floor to Space Heating Outlet in.	N NPT in.	Approx. Shipping Weight lbs.
LG250H653N	60	22	4	49 <sup>15</sup> / <sub>16</sub>	13	56 <sup>5</sup> / <sub>8</sub>	11	57 <sup>7</sup> / <sub>8</sub>	26	13 <sup>1</sup> / <sub>2</sub>	49 <sup>15</sup> / <sub>16</sub>	3/4	193
LG155H803N	59 1/2	22	4	49 <sup>7</sup> / <sub>8</sub>	14 <sup>13</sup> / <sub>16</sub>	55 <sup>15</sup> / <sub>16</sub>	8	57 <sup>7</sup> / <sub>8</sub>	25 <sup>7</sup> / <sub>8</sub>	15 <sup>7</sup> / <sub>16</sub>	49 <sup>7</sup> / <sub>8</sub>	3/4	207
LG275H763N	62 <sup>5</sup> / <sub>8</sub>	24	4	51 <sup>7</sup> / <sub>8</sub>	15	59	11	60 <sup>7</sup> / <sub>16</sub>	27 <sup>1</sup> / <sub>4</sub>	16 <sup>5</sup> / <sub>8</sub>	51 <sup>7</sup> / <sub>8</sub>	1	263
LG2100H853N	69	28 <sup>1</sup> / <sub>4</sub>	4	59 <sup>5</sup> / <sub>16</sub>	15 <sup>7</sup> / <sub>16</sub>	65 <sup>1</sup> / <sub>2</sub>	16	66 <sup>15</sup> / <sub>16</sub>	31 <sup>1</sup> / <sub>2</sub>	17 <sup>11</sup> / <sub>16</sub>	50 <sup>5</sup> / <sub>8</sub>	1 <sup>1</sup> / <sub>4</sub>	424

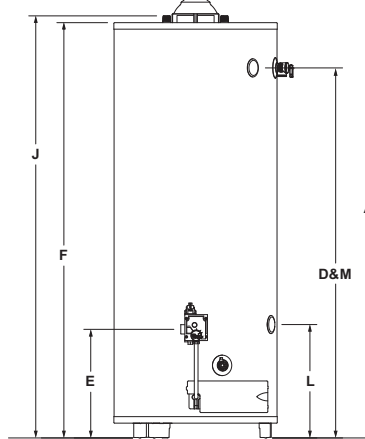
  

Model Number	A Floor to Flue Conn. mm.	B Jacket Dia. mm.	C Vent Size mm.	D Floor to T&P Conn. mm.	E Floor to Gas Conn. mm.	F Floor to Top of Heater mm.	H C/L of Water Conn. mm.	J Floor to Water Conn. mm.	K Depth mm.	L Floor to Space Heating Inlet mm.	M Floor to Space Heating Outlet mm.	N NPT mm.	Approx. Shipping Weight kg.
LG250H653N	1524	559	102	1268	330	1438	279	1470	660	343	1268	19	88
LG155H803N	1511	559	102	1267	376	1421	203	1470	657	392	1267	19	94
LG275H763N	1591	610	102	1318	381	1499	279	1535	692	422	1318	25	119
LG2100H853N	1753	718	102	1507	392	1664	406	1700	800	449	1286	32	192

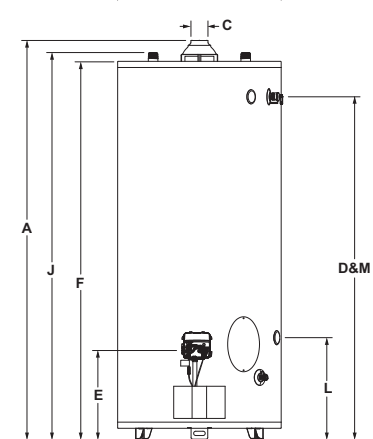
Propane models feature a Titanium Stainless Steel propane burner. For Propane (LP) models change suffix "N" to "X". For 5 year models, change suffix "3" to "5". \*Based on manufacturer's rated recovery efficiency. LG2100H853N model features hand hole cleanout. Energy Factor and First Hour Rating is based on the latest AHRI directory listings. NSF kits available.



LG250H653N / LG275H763N



LG155H803N



LG2100H853N

**General:**  
Meets NAECA Requirements (Applicable Models).

All gas water heaters are certified at 300 PSI test pressure (2068 kPa) and 150 PSI working pressure (1034 kPa). All gas connections are 1/2" (13mm). All models design-certified by CSA International (formerly AGA/CGA), ANSI standard Z-21.10.3 and peak performance rated (RG250H6N = ANSI Z-21.10.1). **Dimensions and specifications subject to change without notice in accordance with our policy of continuous product improvement.**

**Suitable for Water (Potable) Heating and Space Heating.** Toxic chemicals, such as those used for boiler treatment, shall NEVER be introduced into this system. This unit may NEVER be connected to any existing heating system or component(s) previously used with a non-potable water heating appliance.



For U.S. and Canada field service, contact your professional installer or local Bradford White sales representative.  
Sales 800-523-2931 • Fax 215-641-1670 / Technical Support 800-334-3393 • Fax 269-795-1089 • Warranty 800-531-2111 • Fax 269-795-1089  
International: Telephone 215-641-9400 • Telefax 215-641-9750 / [www.bradfordwhite.com](http://www.bradfordwhite.com)

**BRADFORD WHITE-CANADA INC.** Sales / Technical Support 866-690-0961 / 905-238-0100 • Fax 905-238-0105 / [www.bradfordwhite.com](http://www.bradfordwhite.com)

**Built to be the Best™**